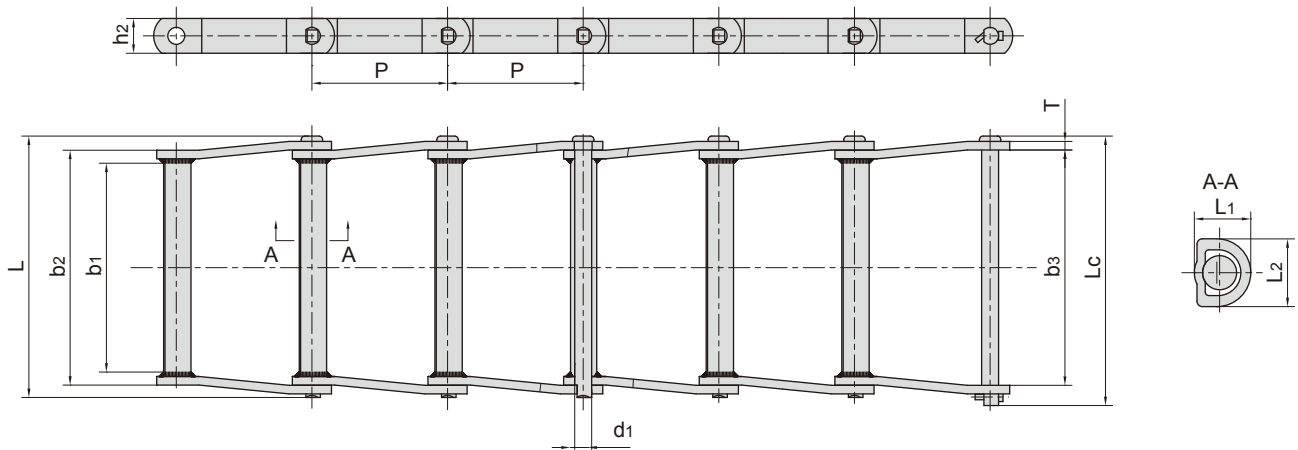


曳引用焊接结构弯板链 Welded-steel-type drag chains



ISO链号 ISO Chain No.	节距	套筒A-A截面长度	套筒A-A截面高度	链节窄端内宽	销轴直径	链节窄端外宽	链节宽端内宽	链板高度
	Pitch	Bush A-A section length	Bush A-A section height	Width between narrow linkend	Pin diameter end	Width over narrow linkend	Width between broad linkend	Plate depth
	P	L1	L2	b1 min	d1 max	b2 max	b3 min	h2 max
	mm	mm	mm	mm	mm	mm	mm	mm
WD102	127.0	31.7	39.1	162.0	19.13	197.1	197.6	38.12
WD104	152.4	31.7	39.1	104.6	19.13	136.9	137.4	38.12
WD110	152.4	31.7	39.1	228.6	19.13	263.9	264.4	38.12
WD112	203.2	31.7	39.1	228.6	19.13	263.9	264.4	38.12
WD113	152.4	33.2	39.1	228.6	22.30	270.2	270.7	38.12
WD116	203.2	36.6	45.2	330.2	19.13	359.1	359.6	45.21
WD118	203.2	44.5	51.8	336.5	22.30	378.2	378.7	51.80
WD122	203.2	44.5	51.8	222.2	22.30	260.6	261.1	51.80
WD480	203.2	44.5	51.8	282.4	22.30	324.1	324.6	51.80

ISO链号 ISO Chain No.	销轴长度 Pin length		链板厚度 Plate thickness	抗拉强度 Tensile strength	
	L max	Lc max	T	Q min	Q min
	mm	mm	mm	kN/lbf 销轴热处理 Only pin hardened	kN/lbf 全部热处理 All parts hardened
WD102	255.6	245.4	9.7	170/38217.0	245/55078.20
WD104	188.0	181.4	9.7	170/38217.0	245/55078.20
WD110	315.0	308.6	9.7	170/38217.0	245/55078.20
WD112	315.0	308.6	9.7	170/38217.0	245/55078.20
WD113	330.2	322.3	12.7	213/47884.3	253/56876.68
WD116	410.4	405.9	9.7	245/55078.2	262/58899.90
WD118	440.0	431.1	12.7	311/69915.6	351/78907.96
WD122	324.2	314.5	12.7	311/69915.6	351/78907.96
WD480	387.6	378.0	12.7	311/69915.6	351/78907.96